

ROUND SHAPE LED ILLUMINATED MIRROR

Catalog #		Prepared by	LiteHarbor
Project		Date	
Notes			



LED ILLUMINATED MIRROR

Features

- The appearance of the product is classical and elegant, with varied variations such as round, oval and square shape.
- Beautifully crafted and informal. It is a combination of science and technology and plastic arts. It is vivid and intimate in visual effects, and is functional and practical.
- The luminaire is composed of three parts, consisting of a lamp body, a mirror and a base, which can meet the lighting needs of different indoor places.
- Retro surface treatment of products with multiple color choices.
- The light is even and soft with not glaring.
- IP Rating: IP44



Liteharbor Lighting Technology Co., Ltd.
New Industry Area Hecun Danzao Town
Nanhai Foshan City Guangdong China

TEL: +86-757-8180 8675
FAX: +86-757-8180 8685
E-mail: info@liteharbor.com

Website: www.liteharbor.com
Specifications subject to change w/o notice
Revision: Mar. 2019



Electronic Performance

Item No.	MR-041A
Voltage	AC 120V-277V
Frequency	60 Hz
System Watt	40W
Driver	Liteharbor
PF	>0.95
Dimming	Available

Optical Performance

Total Lumen	936 lm
Light Source	SMD 5050
CRI	>80
Beam Angle	120 Degree
CCT	2700-5000K

Mechanical Performance

Material	Cold Rolled Sheet+Aluminum
IP Rating	IP44
Color	White/Black/Blonze
Dimension	44" x ϕ 37.5" x 2"

Warranty

Warranty of Product	3 Years
IP Rating	IP44

Applications

Suitable for high-end hotel rooms / sample rooms, villas, boutique apartments, SPA, leisure clubs, gym, kitchen, hair salon and other places.

Listing / Warranty

ETL listed to US and Canadian standards for damp location W/Feed through.

3 Year Limited Warranty.



Liteharbor Lighting Technology Co., Ltd.

New Industry Area Hecun Danzao Town
Nanhai Foshan City Guangdong China

TEL: +86-757-8180 8675

FAX: +86-757-8180 8685

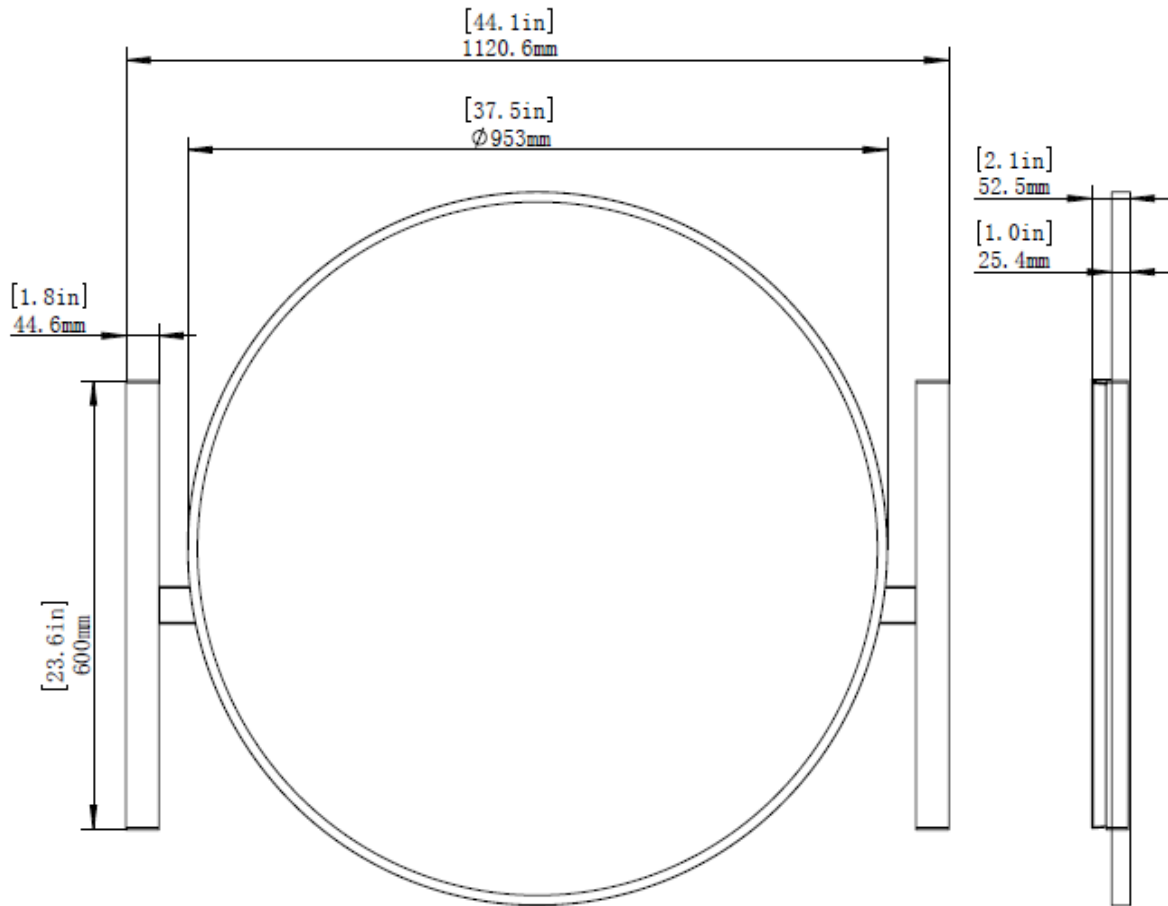
E-mail: info@liteharbor.com

Website: www.liteharbor.com

Specifications subject to change w/o notice

Revision: Mar. 2019

Dimensions



LED ILLUMINATED MIRROR



Liteharbor Lighting Technology Co., Ltd.

New Industry Area Hecun Danzao Town
Nanhai Foshan City Guangdong China

TEL: +86-757-8180 8675

FAX: +86-757-8180 8685

E-mail: info@liteharbor.com

Website: www.liteharbor.com

Specifications subject to change w/o notice

Revision: Mar. 2019